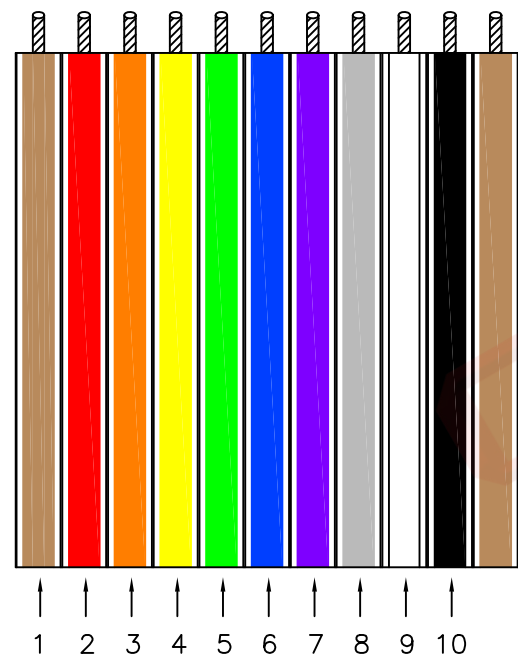
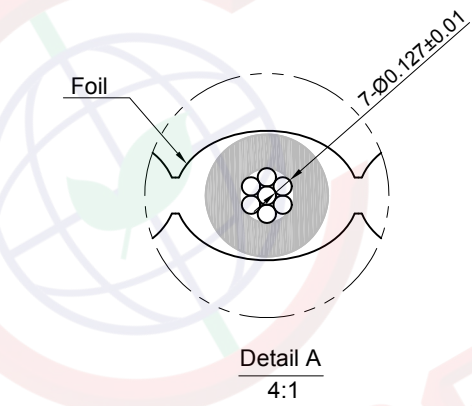
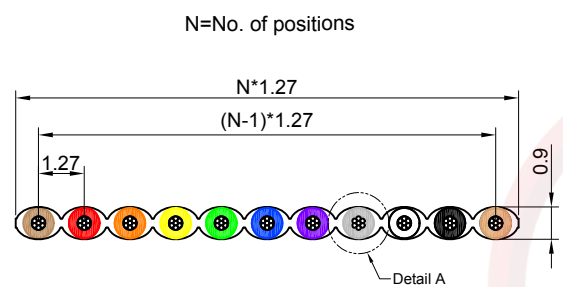


The information provided herein is from CONNELY Electronic Co., Ltd. and is confidential. Any disclosure to a party other than the recipient is prohibited. The intellectual properties and its rights contained herein, including but not limited to, trademarks, patents, copyrights, trade secrets, and technical know-how, are owned exclusively by CONNELY or its affiliates. Unauthorized use or reproduction of any part of this document is strictly prohibited. CONNELY may enforce its intellectual property rights at its own discretion, failures or delays in exercising such rights does not constitute a waiver of such rights.

Dept	Qty
DC	1
ED	1
IE	1
ISO	1
PD	1
R&D	1
SD	1
QA	1
QC	1
QE	1

REV.	DESCRIPTION	DRAWN	CHECKED	APPROVED
A	NEW RELEASE	JLZ 08/28/20'		

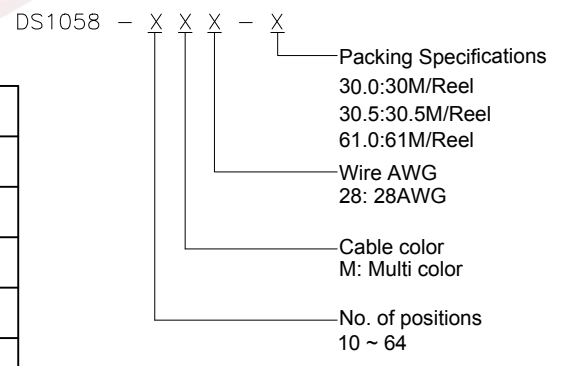


Pin	Cable color	Pin	Cable color
1	Brown	6	Blue
2	Red	7	Purple
3	Orange	8	Gray
4	Yellow	9	White
5	Green	10	Black

NOTES:

- Materials:**
 - Insulation: PVC, Multi colour.
 - Conductor: Copper with tin plating.
- Specification**
 - Rating: 300V 1A
 - Conductor Size: 28AWG
 - Insulation resistance: 100MΩ/km min.
 - Dielectric withstanding voltage: 1000 VAC 1 minute.
 - Temperature range: -20°C to +80°C.
- Application**
 - Internal wiring of computers, electronic exchanges, measurement control devices, business machines, communication devices, and other electronic equipment.

4. Product Number Code



GENERAL TOLERANCE		ANGLE TOLERANCE		PROJECTION		TITLE	
X.	±0.60	X.	±5°	UNITS	mm	FLAT CABLE MUTLI COLOR	
.X	±0.38	.X	±3°	SHEET SIZE	A4	SERIES	DS1058 SERIES
.XX	±0.25	.XX	±2°	晨翔电子有限公司 CONNELY CONNELY ELECTRONIC CO. LTD			
DRAWING TYPE		CUSTOMER					
SCALE	1:1	SHEET	1 OF 1				
DRAWING NO.		C-DS1058-XXX-X-A					

FOR TME ONLY